



Project: _____	AIA# _____
Item #: _____ Qty: _____	SIS# _____
Model #: _____	

# Mobile Ice Bin

IBM-18X30



IBM-18X30

## Standard Features

- All 300 series stainless steel construction
- ABS plastic breaker strip around ice bin liner: creates 5/16" raised edge around liner and acts as thermal barrier to prevent heat transfer
- CFC free foamed-in-place insulation
- Recessed leg tube sockets and bottom floor for extra stability and additional storage
- Four 4" casters (two locking)
- Drain valve for draining melted ice



<b>Specifications</b>	<b>Dimensional Information</b>
-----------------------	--------------------------------

**Drain**

- 1" tailpiece. Includes factory installed drain valve. No plumbing hook-up required

**Liner Depth**

- 10-1/2"

**Ice Capacity**

- 85 lbs

**Legs**

- 1-5/8" diameter, 16 gauge 300 series stainless steel

**Casters**

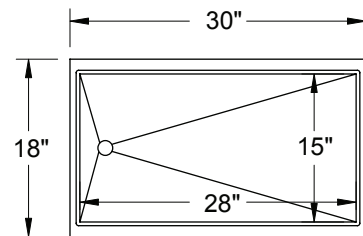
- Four 4" heavy duty rubberized casters
- The two server side casters are locking

**Materials**

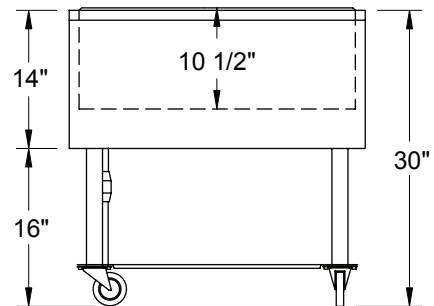
- 20 gauge 300 series stainless steel parts include: all components unless otherwise noted
- 18 gauge 300 series stainless steel parts include: bottom shelf
- ABS plastic breaker strip around opening of ice bin liner

**Dimensional Information**

Plan View



Front View



<p><b>Glastender, Inc.</b> • 5400 North Michigan Road • Saginaw, MI • 48604-9780          989.752.4275 • 800.748.0423 • Fax 989.752.4444  <a href="http://www.glastender.com">www.glastender.com</a></p>	<p>Approval/Notes:</p>
<p>Specifications subject to change without notice. For current specifications please visit our website.</p>	